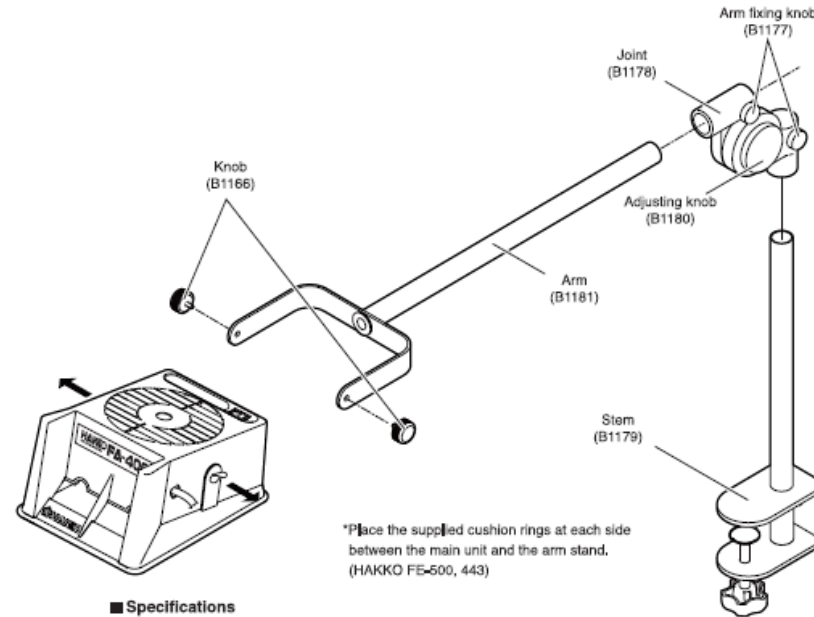


## ARM STAND

No.C1568

### Assembly Instructions

1. Mount the stem on the workbench. Fasten the screw tightly so the stem does not move.
  2. Insert the joint (from the adjusting knob side) into the stem and tighten the arm fixing knob.
  3. Pass the arm through the joint. Adjust the arm to the distance required for use, then fasten it in place with the arm fixing knob.
  4. Remove the seals from both sides of the HAKKO FA-400 and remove the stand.
  5. Fasten the HAKKO FA-400 to the arm (see figure at right) and tighten the adjusting knob.
- NOTE:**  
If the adjusting knob is loose, the HAKKO FA-400 may sag downward. If this happens, tighten the adjusting knob.
6. Use the arm fixing knobs to adjust the arm length and angle. Do NOT remove the adjusting knob from the joint!
  7. Adjust the angle of the HAKKO FA-400 smoke absorber for optimum smoke absorbency.



\*Place the supplied cushion rings at each side between the main unit and the arm stand. (HAKKO FE-500, 443)

#### Specifications

Part Name	Arm stand
Part No.	C1568
Weight (w/o Knobs)	1.8Kg (3.97lbs)

Part No.	Part Name	Specifications
B1166	Knob	set of 2, ESD
B1177	Arm fixing knob	set of 2
B1178	Joint	
B1179	Stem	
B1180	Adjusting knob	
B1181	Arm	
B1250	Power cord ties	set of 5

\*Specifications and design are subject to change without notice.



Copyright © 2009 HAKKO Corporation, All Rights Reserved.

2009.10  
MA01830X2091009